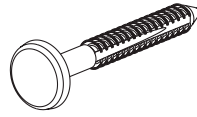


# Shutter-Lok

## Installation Instructions



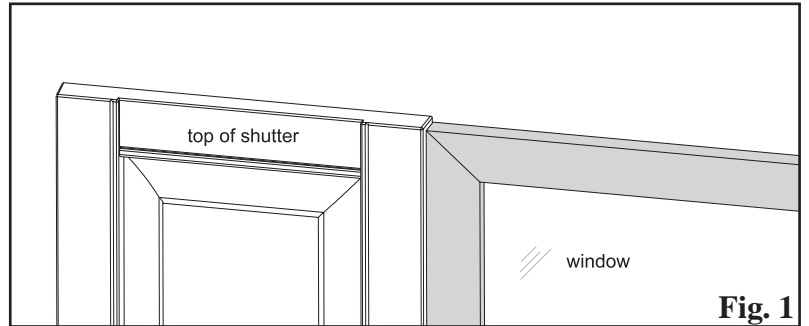
For use on any surface including: wood, aluminum, vinyl, stucco, hardboard, brick, or masonry.

### Required for Installation:

- Electric drill, 1/4" drill bit, hammer, and Shutter-Loks

### Step 1

Place the shutter next to the window and mark desired location against the wall or window. See Figure 1 at right.



### Step 2

For smaller sizes use four Shutter-Loks per shutter. For large sizes 55" and over, use six Shutter-Loks per shutter.

### Step 3

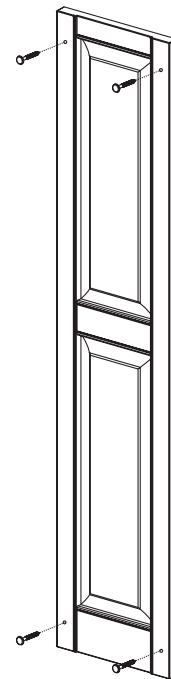
To help ensure proper alignment mark or pre-drill holes using a 1/4" drill bit into the shutter before attaching it to the wall.

### Step 4

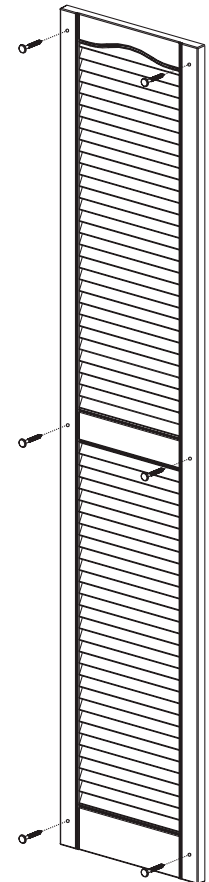
With the shutter in location against the wall, drill through the shutter into the wall surface 2 3/4" deep. Make sure you drill holes deep enough so the Shutter-Lok doesn't bottom out.

### Step 5

Grasp the Shutter-Lok supporting shank and push it through the shutter hole and into the wall surface. Tap the Shutter-Lok gently with a hammer to snug the shutter against the siding. Do not over tighten , or this will cause the shutter to dimple.



Four Shutter-Lok Application



Six Shutter-Lok Application

### Note:

To remove shutters do not attempt to pull out the Shutter-Loks. Simply use a pair of snips and slide them behind the shutter to cut the Shutter-Lok off at the shank.